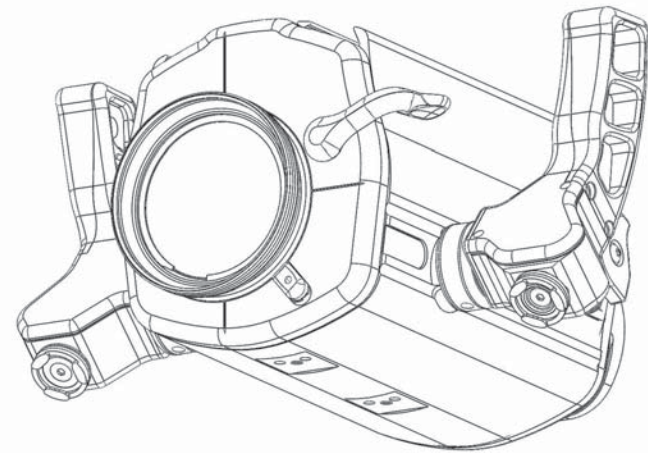


Bluefin CX550 / XR550 Owners Manual



Standard Warranty

Light & Motion provides a limited warranty to the original purchaser of its housings against all defects in original workmanship and material, under normal use and service, for one year from the date of purchase with the following exceptions:

- Batteries are warranted for 90 days.
- Cosmetic discoloration of surfaces.

Light & Motion will not be liable for any further loss, damages, or expenses, including incidental or consequential damages directly or indirectly arising from the sale or use of this product. Products not manufactured by Light & Motion, such as some accessory lenses are not covered under the Light & Motion warranty. These products are covered by the Terms and Conditions set forth by their respective manufacturers.

Important Information:

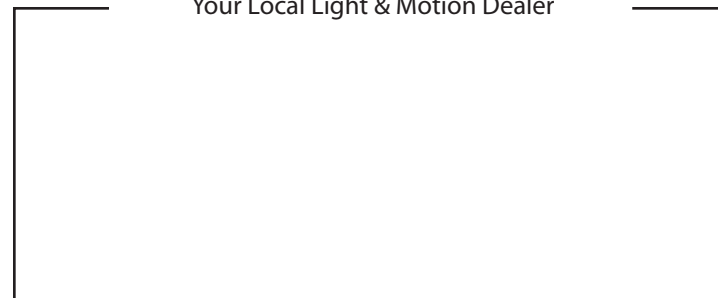
- Never transport or ship the housing with the camcorder inside. This may damage your camcorder.
- Never leave your housing in the rinse bucket. It may be damaged by other housing or equipment.
- When removing the camcorder from the housing after a dive, do so in a dry, controlled environment away from other scuba related equipment.
- Rinse equipment in fresh water after every dive.

905-0297-A

Light & Motion
300 Cannery Row
Monterey, CA 93940, USA

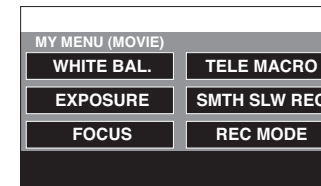
www.uwimaging.com • sales@lightandmotion.com

Your Local Light & Motion Dealer

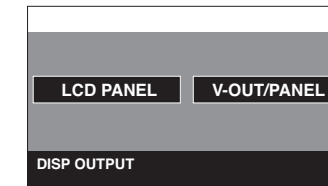


Camcorder Set Up:

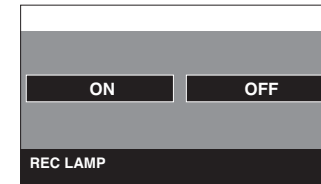
1) White Balance



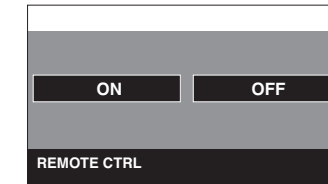
2) V-Out Display



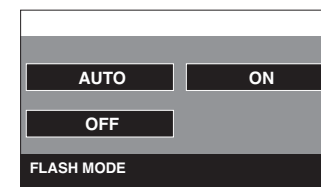
3) Rec Lamp



4) Remote



5) Flash



1) White Balance:

My Menu > My Menu Setting > Movie
Select the button to be adjusted > Select upper left button
Select the item to be registered > OK
Choose WHITE BAL. from the camcorder's menu

2) V-Out Display:

Menu > Show Others
GENERAL SET > OUTPUT SETTINGS
DISP OUTPUT > V-OUT / PANEL

3) Rec Lamp:

Menu > Show Others
General Set > REC LAMP > OFF

4) Remote:

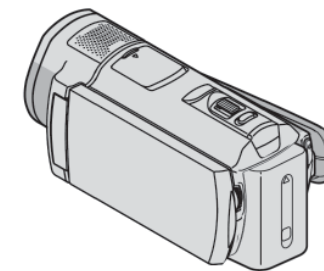
Menu > Show Others
GENERAL SET > OTHER SETTINGS
REMOTE CTRL > ON

5) Flash:

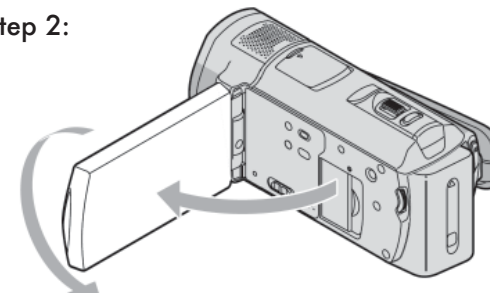
Photo Mode > Menu > Photo Settings
FLASH MODE > OFF

Rotate LCD screen to face outward:

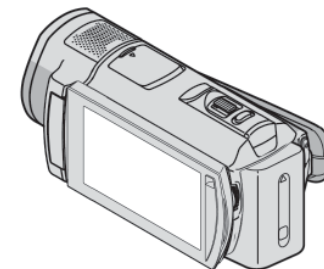
Step 1:



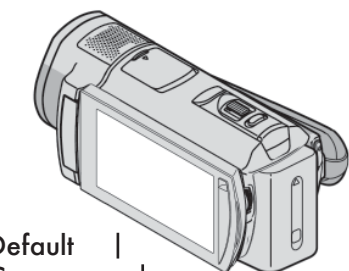
Step 2:



Step 3:

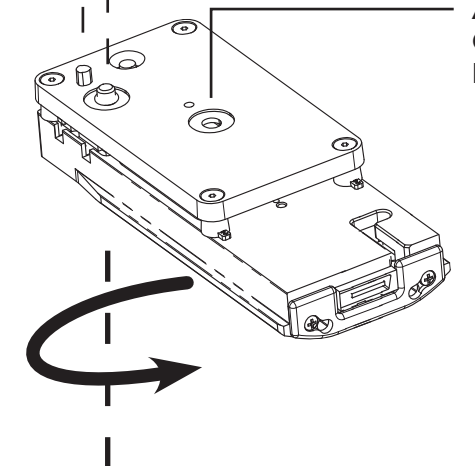


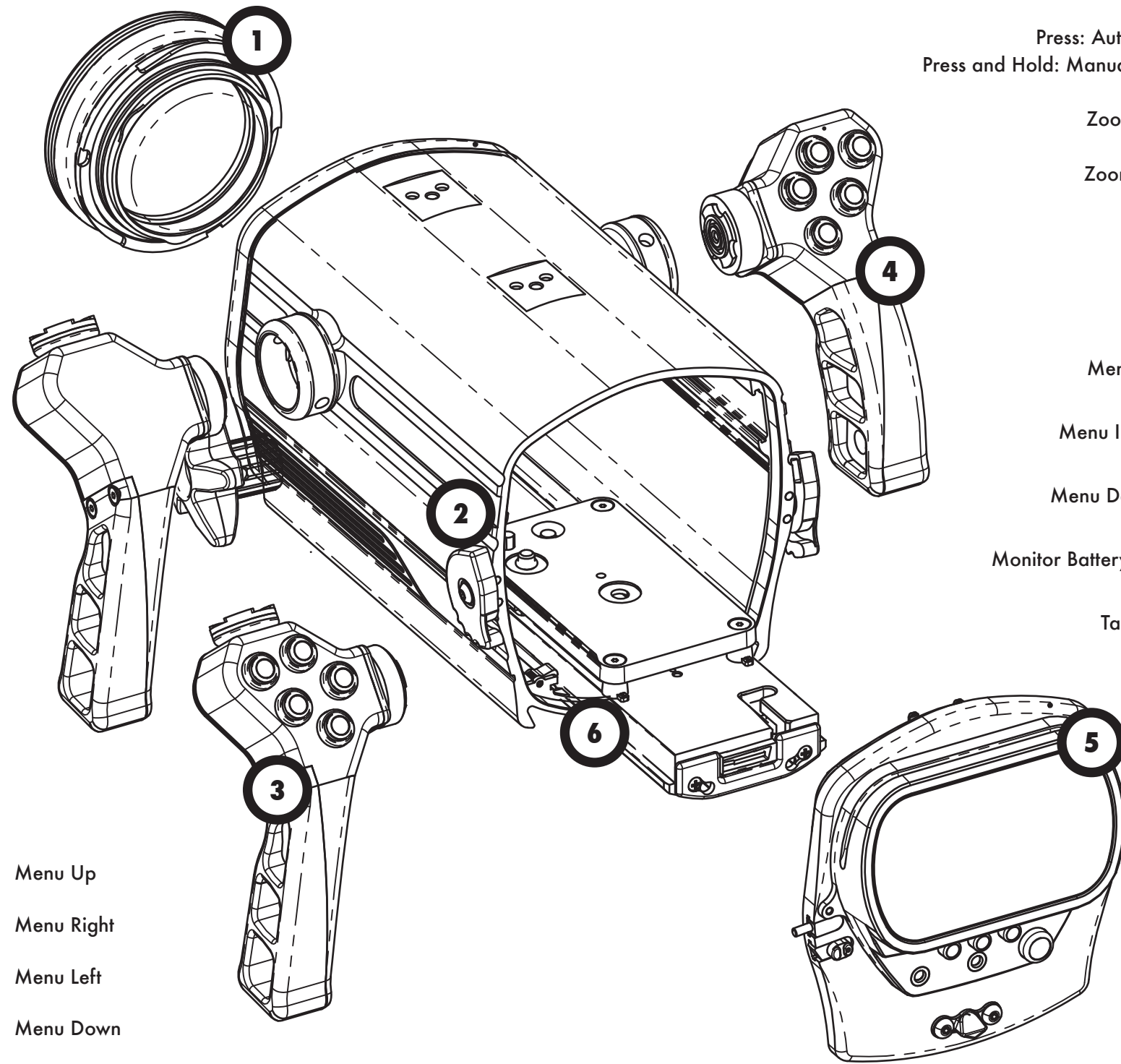
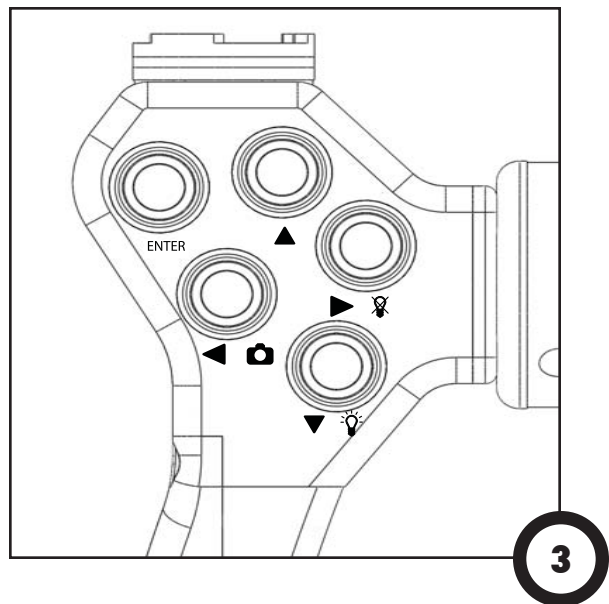
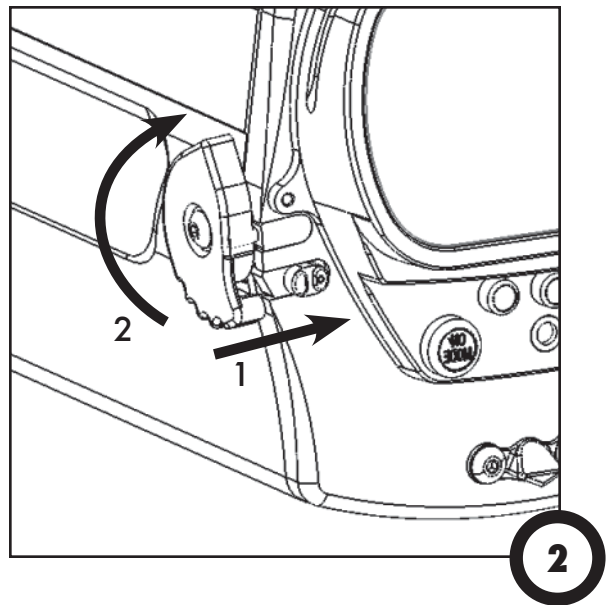
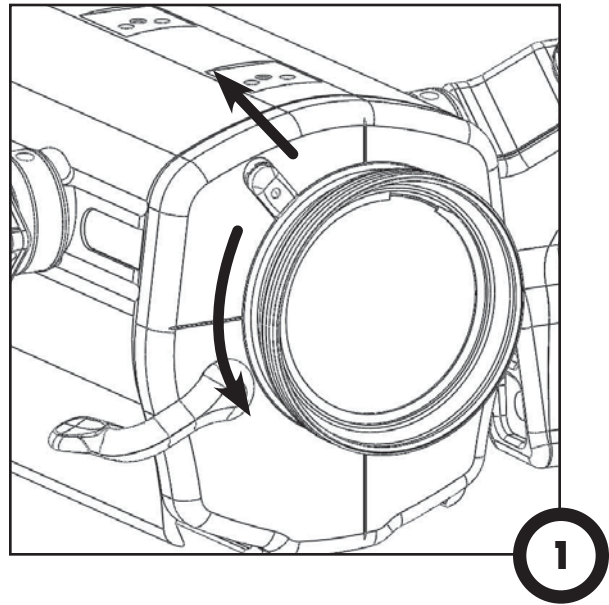
Mount Camcorder on Tray:



Default
Camera
Position

Alternate
Camera
Position





- ▲ Menu Up
- ▶ Menu Right
- ◀ Menu Left
- ▼ Menu Down
- 📷 Photo (hold 1 sec.)
- 💡 Lights On (hold 1 sec.)
- 🚫 Lights Off (hold 1 sec.)

Press: Manual White Balance
Press and Hold: Auto White Balance

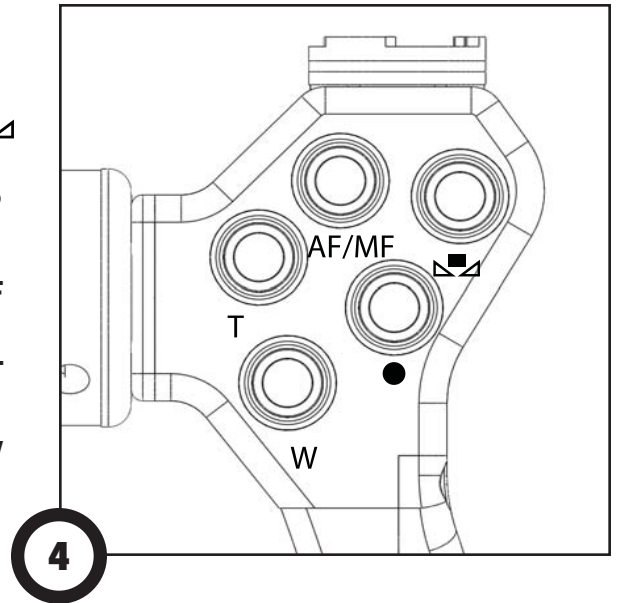
REC / Stand-By

Press: Auto Focus
Press and Hold: Manual Focus

Zoom Tele

Zoom Wide

- ⏏
-
- AF/MF
- T
- W



- ☰ Menu Enter
- ➕ Menu Increase
- ➖ Menu Decrease
- 🔋 Monitor Battery Status
- REC Tally Light

